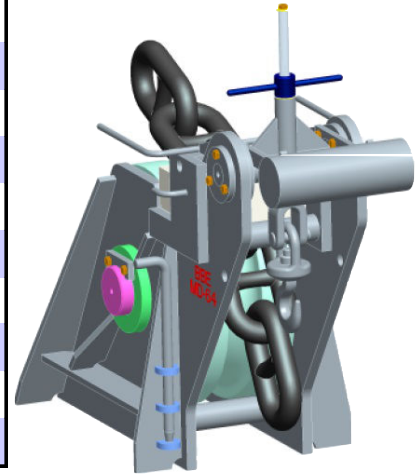


# CHAIN CABLE STOPPER

## CHAIN CABLE STOPPER – MODEL : MD TYPE

Product Code: AE-0112

Nominal Dia. of Chain (mm)	Dimensions (mm)						Mass (kgs)
	A	B	C	D	E	F	
16 – 19	392	298	480	226	162	320	95
20.5 – 22	432	318	498	264	181	338	116
24 – 28	516	338	542	308	203	382	138
30 – 34	664	385	662	396	287	462	217
36 – 40	778	423	820	440	309	560	394
42 – 46	839	568	1026	484	340	700	480
48 – 52 *	950	585	1106	530	355	730	540
54 – 58 *	1036	625	1185	616	398	832	830
60 – 64 *	1070	670	1320	700	455	900	1100
66 – 70 *	1188	682	1334	724	472	934	1232
73 – 78 *	1276	700	1453	748	494	1022	1520
81 – 87 *	1340	718	1507	780	510	1054	1780



**MD Type**

- Remark :
1. Withstand 80% of chain cable MBL.
  2. Bronze bushing with pressure lubrication.
  3. Wire rope stopper to secure the ship's anchor at hawser pipe.
  4. Over chain size of 48mm ~ \*product with counter weight.
  5. Incline angle / warping angle of chain as request.
  6. Save at deck space.

