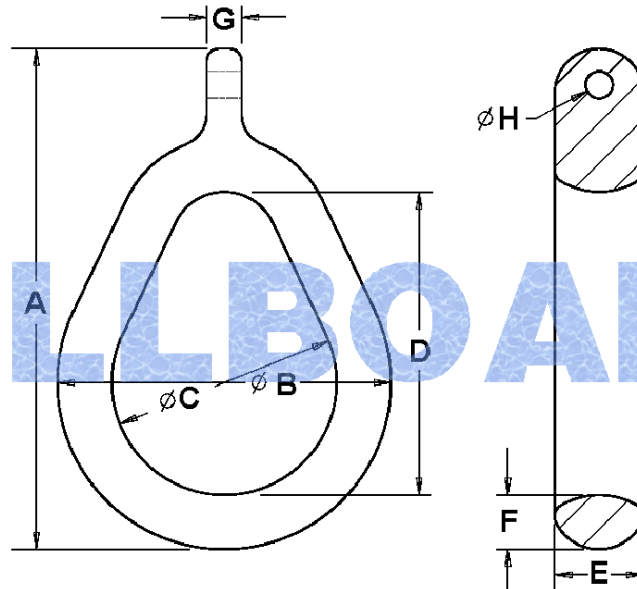


CHAIN CHASER

PERMANENT CHAIN CHASER – TYPE BBE-110

Pull Load (Ton)	SWL (Ton)	Dimensions in mm							
		A	B	C	D	E	F	G	H
250	130	1867	1244	838	1130	330	203	130	100
400	250	2040	1360	838	1130	406	300	191	165



J LOCK CHASER – TYPE BBE-115

Nominal Size (mm)	Pull Load (Ton)	SWL (Ton)	Dimensions in mm							Weight (kgs)
			A	B	C	D	E	F	G	
76	300	200	2083	1520	711	533	124	115	110	2600
84	300	200	2083	1520	711	533	124	115	130	2600
102	500	300	2480	2050	711	800	180	150	140	4200
117 – 124	600	450	2730	2050	711	1000	240	185	150	7650

