

AIR VENT HEAD

The **Vent** shall be worked in every loading and unloading of the cargo. With itself easy simply to open and closed by a slight motion. The **Flame Arrester** shall be equipped necessarily subject to consent of **IMO** and **CLASS**.

Model : B-36

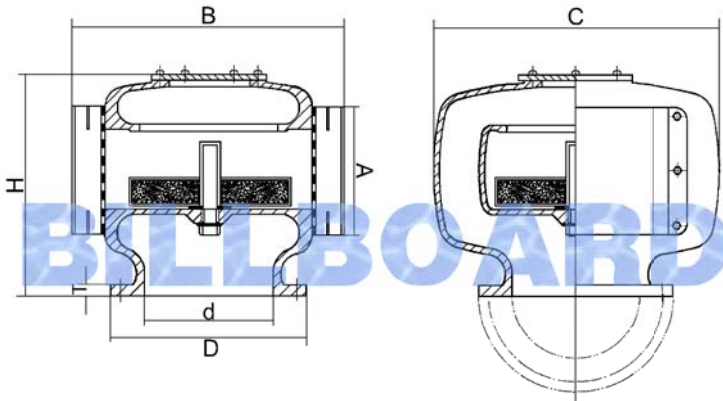
Nominal Size (mm)	Dimension (mm)							Weight (kgs)
	d	A	B	C	D	H	T	
250	250	200	544	566	385	442	22	130
300	300	230	630	684	430	530	22	145
350	335	314	704	740	480	575	24	300
400	380	360	816	846	540	645	24	394

Vent System

1. An independent vent mounted each to each tank.
2. A joint vent that is to vent through one or two main lines connected with many tanks.
3. Mixed type of the above two would be used a certain case according to the type of the cargo.

Specification

- Model : B-36, Double Passed.
- Size : From 250mm to 400mm.
- Flange : JIS 5Kg/cm² or ANSI.
- Material :
 - Body - Cast Iron.
 - Flame Arrester Screen - Stainless Steel.
 - Cover - Stainless Steel.
 - Float - Stainless Steel.
- Air Velocity : Max. to 12M/sec.
- Float : Filled with rigid foam by injection.



Air Velocity Test



BillBoard Engineering Co. Ltd.

Room 1106, Entrepot Centre, 117 How Ming Street, Kwun Tong, Hong Kong.
 Tel. No. (852) 2797 3972 Web Site : <http://www.billboard.com.hk>
 Fax No. (852) 2304 7011 E-mail : emil@bbeng.com

